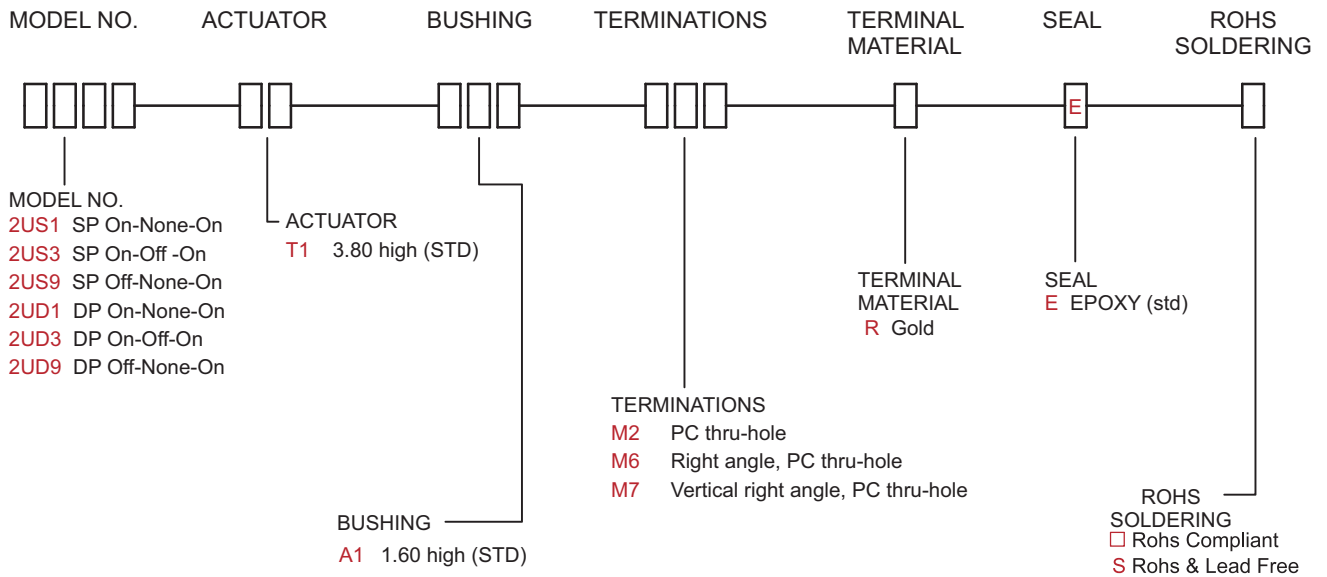
**SPECIFICATIONS****MECHANICAL LIFE:** 40,000 make-and-break cycles.**CONTACT RATING:** 0.4 VA max. @ 20 V AC or DC max.**CONTACT RESISTANCE:** Below 100 mΩ typ. initial @ 2-4 V DC, 100 mA.**INSULATION RESISTANCE:** 500 MΩ min.**DIELECTRIC STRENGTH:** 500 V RMS@ sea level.**OPERATING TEMPERATURE:** -30°C to 85°C**MATERIALS****HOUSING AND BASE:** Glass filled nylon 6/6 or 4/6 , flame retardant, heat stabilized (UL94V-0)**ACTUATOR:** Glass filled nylon 6/6 , flame retardant, heat stabilized(UL94V-0), with standard internal o-ring seal.**SWITCH SUPPORT:** Steel, with nickel plate.**CONTACT / TERMINALS:** Silver or gold plated Copper alloy.**HOW TO ORDER**

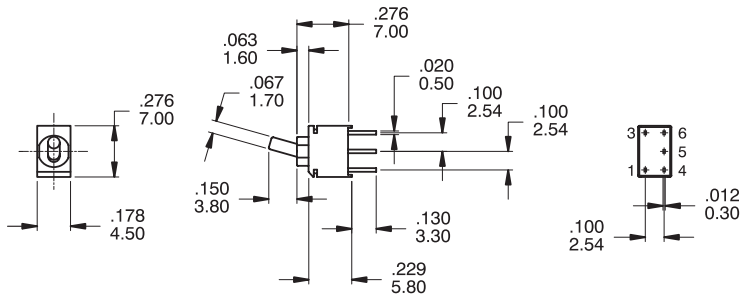
SWITCH FUNCTION

NO. POLES	MODEL NO.	SWITCH FUNCTION			CONNECTED TERMINALS / SCHEMATIC		
		POS.1	POS.2	POS.3	POS.1	POS.2	POS.3
SP	2US1	ON	NONE	ON	5-6	N/A	5-4
	2US3	ON	OFF	ON		OPEN	
	2US9	OFF	NONE	ON	OPEN	N/A	4-6
DP	2UD1	ON	NONE	ON	2-3,5-6	N/A	2-1,5-4
	2UD3	ON	OFF	ON		OPEN	
	2UD9	OFF	NONE	ON	OPEN	N/A	

MOM=MOMENTARY

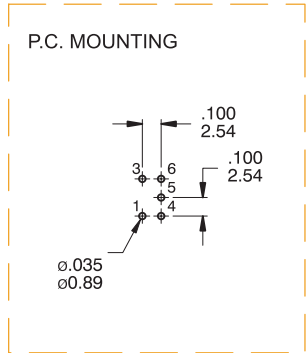
POLE OPTIONS

M2

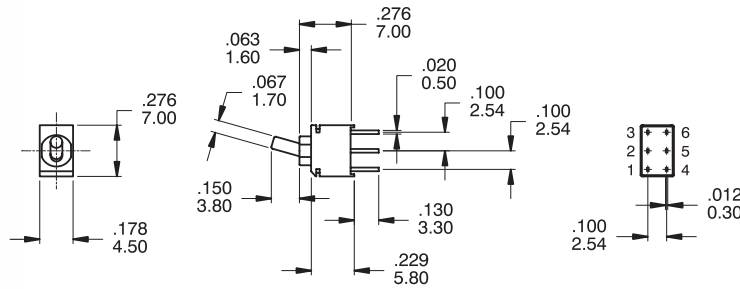


SPDT

Part No. Shown : 2US1T1A1M2RE

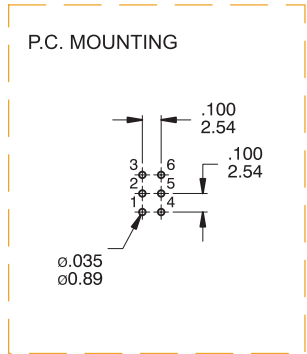


M2

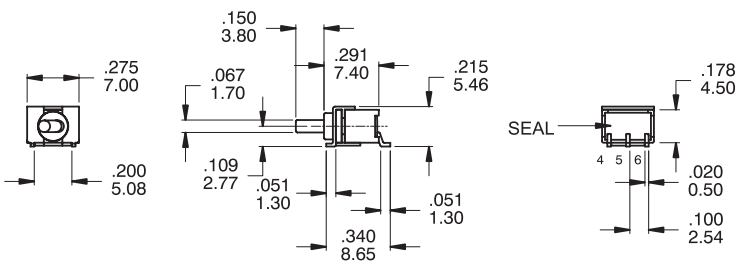


DPDT

Part No. Shown : 2UD1T1A1M2RE

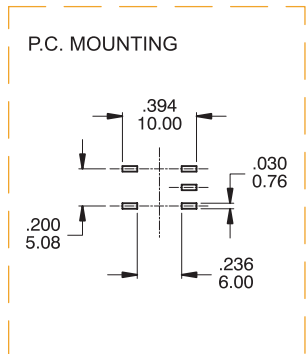


MZ

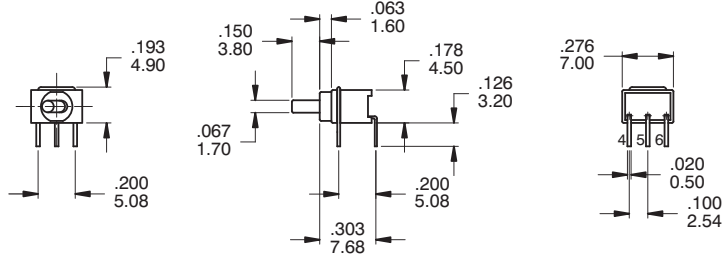


SPDT

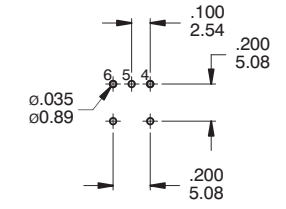
Part No. Shown : 2US1T1A1MZRE



M6



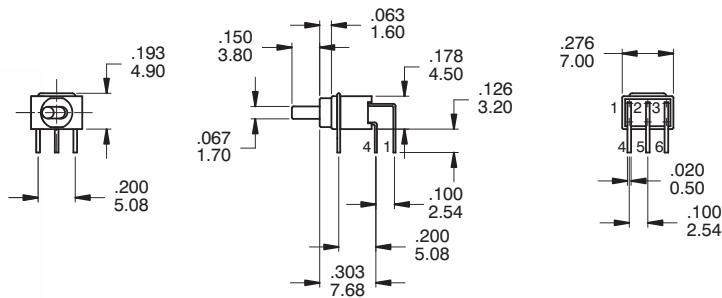
P.C. MOUNTING



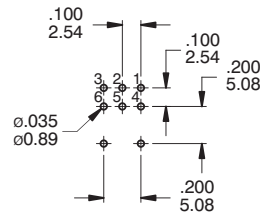
SPDT

Part No. Shown : 2US1T1A1M6RE

M6



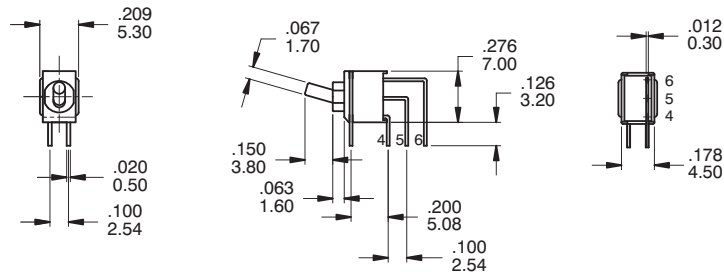
P.C. MOUNTING



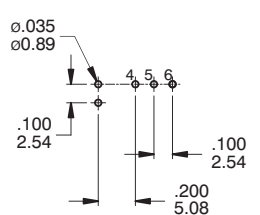
DPDT

Part No. Shown : 2UD1T1A1M6RE

M7



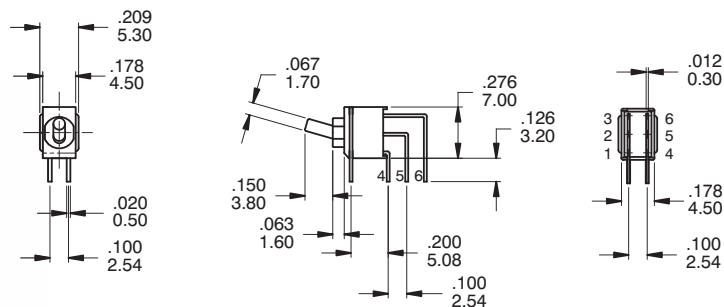
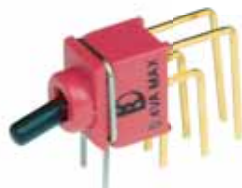
P.C. MOUNTING



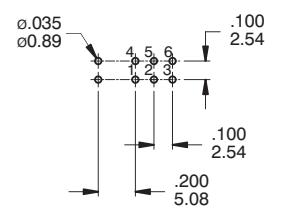
SPDT

Part No. Shown : 2US1T1A1M7RE

M7



P.C. MOUNTING



DPDT

Part No. Shown : 2UD1T1A1M7RE



IP 67
 ACCORDING TO
 EN 60529:1991+A1:2001
 IEC 60529:2001

SOLDERING PROCESSES

WAVE SOLDERING : Recommended Soldering Temperature : $260 \pm 5^{\circ}\text{C}$
 Duration of Solder Immersion : 5 ± 1 seconds
 (PCB is 1.6mm in thickness)

SOLDERING : Vapor phase

