

# Rocker Switch R6 Series



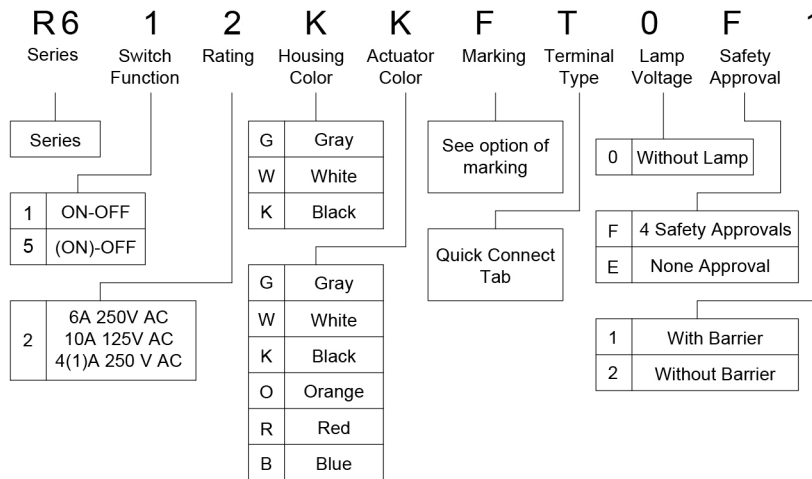
## SPECIFICATION

- Electrical Rating : 6A 250VAC/10A 125VAC(UL)  
4(1)A 250VAC(VDE)
- Mechanical life: Over 30000 cycles
- Electrical life: Over 10000 cycles
- Contact resistance: <math><20\text{m}\Omega</math>
- Insulation resistance: >1000M $\Omega$
- High voltage resistance: >1500V 1 min.
- Ambient temperature: Terminal side -20 to +85 $^{\circ}\text{C}$   
Actuating side -20 to +55 $^{\circ}\text{C}$
- Storage temperature: -30 ~ +85 $^{\circ}\text{C}$  Max
- Atmospheric humidity: Max.85%
- Actuating force: 4N
- Flammability: UL94 V-2
- Temperature rise at the terminal: Max 30 $^{\circ}\text{C}$  (UL1054)
- Solder ability of terminal: Max 350 $^{\circ}\text{C}$  , 3s

## MATERIALS

- Housing: PA 66
- Rocker: PA66
- Contacts: Silver Alloy
- Terminal: Brass Silver Plated
- Movable Arm: Copper Silver Plated

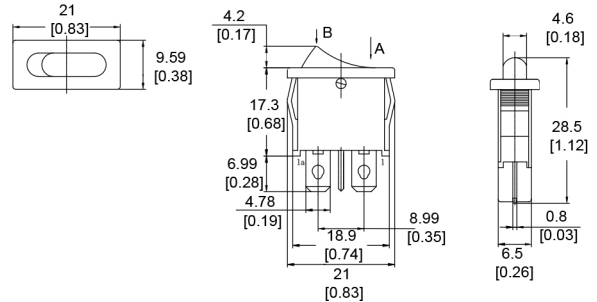
## HOW TO ORDER



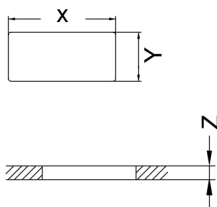
## Option of switch function

Item NO	POLES & THROWS	Rocker position ( ):Momentary		
		Left	Center	Right
R61	SPST	ON	None	OFF
R65	SPST	(ON)	None	OFF

## Dimension



## Panel cut out



Z	Y	X
0.70~1.25	6.65~6.75	19.20~19.30
1.25~2.00	6.65~6.75	19.25~19.35
2.00~3.00	6.65~6.75	19.30~19.40